



PixelGate DIN

Cascadable direct ArtNet/sACN to SPI LED pixel strip driver

ArtNet/sACN to SPI controllers for pixel mapped indoor and outdoor LED strip installations. Two Ethernet ports and integrated switch provide cascadability. Directly convert up to 16 DMX universes into SPI to control 2,730 RGB pixels supporting up to 8 separate LED outputs. By default support WS28xx LEDs with additional LED types available by remote firmware update. Power supplied to LEDs separately, from 5V to 48V. Outputs are configurable through web-based management page. PixelGate DIN is DIN rail mounted (4 modules) IP20 unit.



Advantages

Cascadable through integrated switch and 2 Ethernet ports

Support ArtNet and sACN

LEDs with power supply up to 48V

Work with two-wire and three-wire strips

Support various LED types

Natural heat convection, no fans or coolers, no vent slots – full protection from dust and smoke increases product lifetime

Power source 5/12/24/48 VDC



User-Friendly
Web Interface



UltraStart



Natural Heat
Convection

Application

Control drivers of LED pixel strips by converting ArtNet/sACN to SPI

Drivers for LED light curtains with individual pixel control

Drivers for LED strip installations with individual pixel control

Drivers for mapped LED strip screens

Mapping of moving images on free-form objects

PixelGate DIN

Cascadable direct ArtNet/sACN to SPI LED
pixel strip driver

Version: 1.00
27 Sep 2021

Technical Specifications

Mechanical

Housing: DIN rail mounted (4 modules)
Material: metal, plastic
Dimensions, mm: 103(D) x 19(H) x 79(W)
Mass: 0.35 kg
Mounting: surface, truss

Power & Electrical

Power supply: 5/12/24/48 VDC

Environmental

Operating Temperature: -40...+70°C
Storage Temperature: -50...+80°C
Operating Relative Humidity (max): 95%
IP Rating: IP20
Certification: CE, RoHS
Warranty: 36 month (return to base)

Control / Data Connections

Control interface: ArtNet I, II, III, IV/ sACN
Channels: 8 SPI
Supported LEDs: WS2812B, WS2811, TM1809, UCS1903, WS2801, APA102, LPD8806, WS2818, WS2812S, UCS1903B, UCS1909, UCS1909B, UCS1912, UCS1912B, UCS2903, UCS2903S, UCS2909, UCS2912, INK1002, INK1003, LX1003, SM16703, WS2813, WS2813A, WS2813B, WS2813C, WS2813D, TM1803, TM1804, TM1812, TM1814, TM1829, WS2803, DM413, LPD8803, LPD6803, LPD6813, LPD1101, UCS5903, UCS6909, UCS6912, UCS7009, D705, D707, D708

Inputs / Outputs

LED outputs: up to 8, TTL 3/5V
Ethernet ports: 2 (10/100 Base-TX)
Ethernet connectors: 2 (LSA-PLUS® connectors)

Configuration / Indication

Setup: WEB
Indication: LED for Ethernet activity

Package Contents

PixelGate DIN

Product Line

Name	Modification	Product code
PixelGate DIN	8 LED ports, 2 Ethernet ports (2730 RGB pixels)	PXD-1-2E8SPI



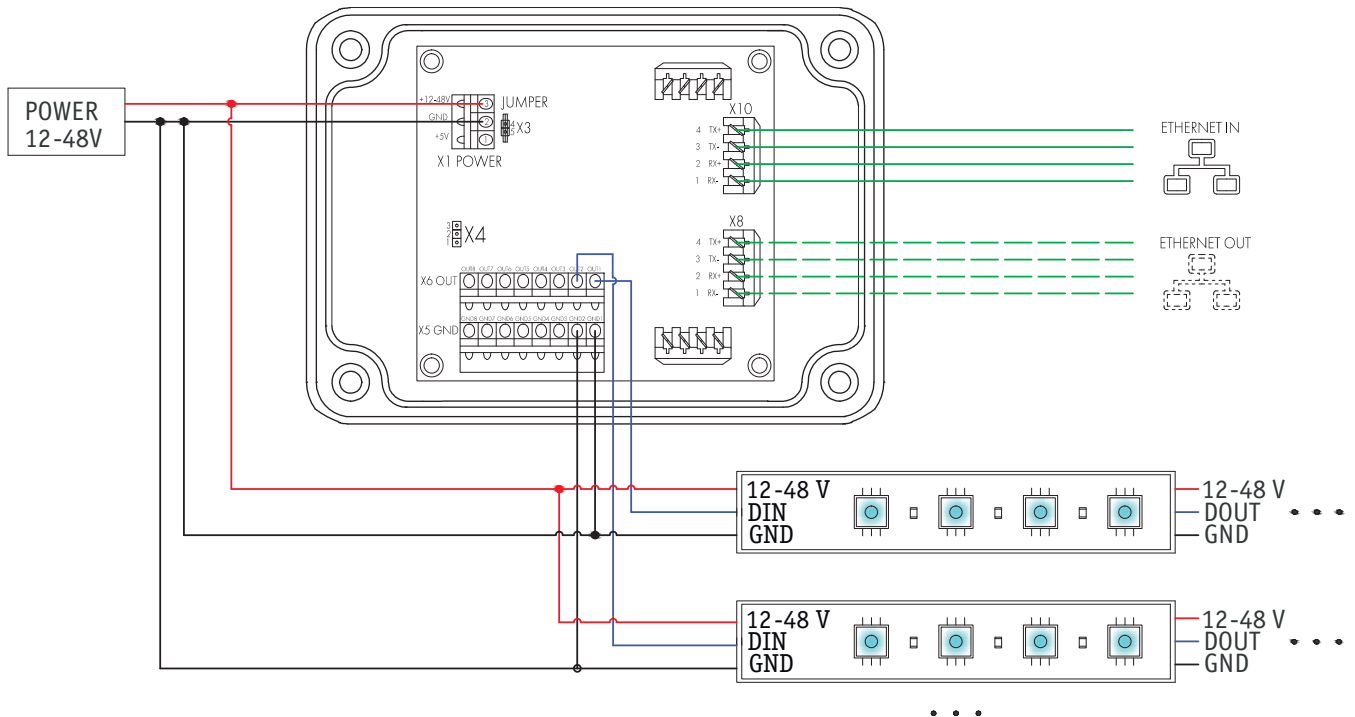
+ 44 (0) 208 991 33 19
office@sundrax.com
www.sundrax.com

PixelGate DIN

Cascadable direct ArtNet/sACN to SPI LED pixel strip driver

Version: 1.00
27 Sep 2021

Connection Scheme



- When using **12-48V power source**, set the jumper at X3 connector.
- When using **5V power source**, jumper is not installed.
- When using **5V output signal**: set the jumper at 1 and 2 pins of X4 connector.
- When using **3.3V output signal**: set the jumper at 2 and 3 pins of X4 connector.



Incorrect jumper connection may cause device malfunction.



Disclaimer

To the best of our knowledge, the technical data contained herein is true and accurate at the date of issuance and is subject to change without prior notice. No liability accepted for errors or omissions. Always make sure to use the most recent release and contact Sundrax Electronics to verify correctness before placing your order.

Accessories

Name

DIN rail mounting kit

Ethernet cable, RJ-45, 3 metres

Product code

ACC-MK-DIN03

ACC-CCE-X/RJ3



+ 44 (0) 208 991 33 19
office@sundrax.com
www.sundrax.com