



QULON RTS

Road Temperature Sensor

Compact and accurate as a Swiss watch, QULON RTS provides information about road temperature (-40°...+70°C range) that is useful for other telemanagement systems. Easy pole-mounting or surface installation. Remote control and monitoring.

Data collection, remote control and diagnostics are made through QULON CMS or third party telemanagement systems. Data are collected through RS-485 (MODBUS RTU) interface and transmitted into QULON Server via GSM or Ethernet by QULON Photo or QULON controllers.



Key Features

Plastic dust- and waterproof IP65 case

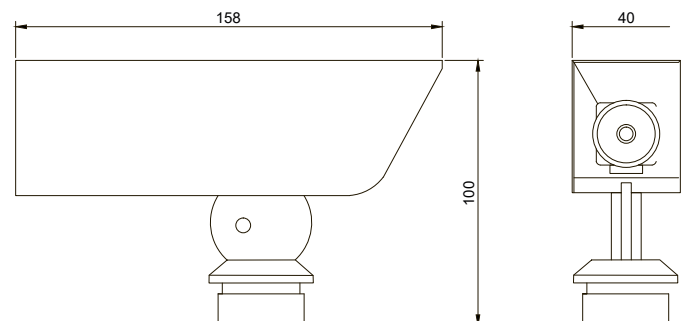
Remote software update

RS-485 serial interface

MODBUS RTU protocol support

Remote temperature measurement

High accuracy



QULON CMS

The QULON CMS is an extremely powerful yet flexible lighting management system that allows remote control of lighting infrastructures of any size and sort: We successfully deployed this system to control street lighting in entire cities, highways and tunnels but also industrial and warehouse lighting, airports, livestock farms, greenhouses, parking lots, train stations, leisure centres, parks and many more; It is composed of two different interfaces, a PC software featuring the most advanced programming functions and a web version to monitor and control your lighting assets on the go, together they offer a complete suite of tools for any kind of project and any kind of user.

QULON RTS

Road Temperature Sensor

Version: 2.11
8 Jun 2021

Technical Specifications

Mechanical

Housing: Dust- and waterproof

Material: Plastic and Metal

Dimensions, mm: 158(D) x 40(H) x 100(W)

Mass: 0.15 kg

Mounting: Pole or surface

Power & Electrical

Power supply: 10-48 VDC

Input Power (max): 5 W

Fuse: 0.5 A

Environmental

Operating Temperature: -40...+70°C

Storage Temperature: -50...+80°C

Operating Relative Humidity (max): 100%

IP Rating: IP65

Certification: CE, RoHS

Warranty: 36 Month (Return to base)

Interfaces and Protocols

Serial interface: RS-485 (MODBUS RTU)

Max length of RS-485 line: 1500 m

Inputs/ Outputs

Connectors: 1 SAC-5P (optional)

Configuration/ Indication

Setup: Remote via Qulon-C or Qulon Photo

Package Contents

QULON RTS module

Product Line

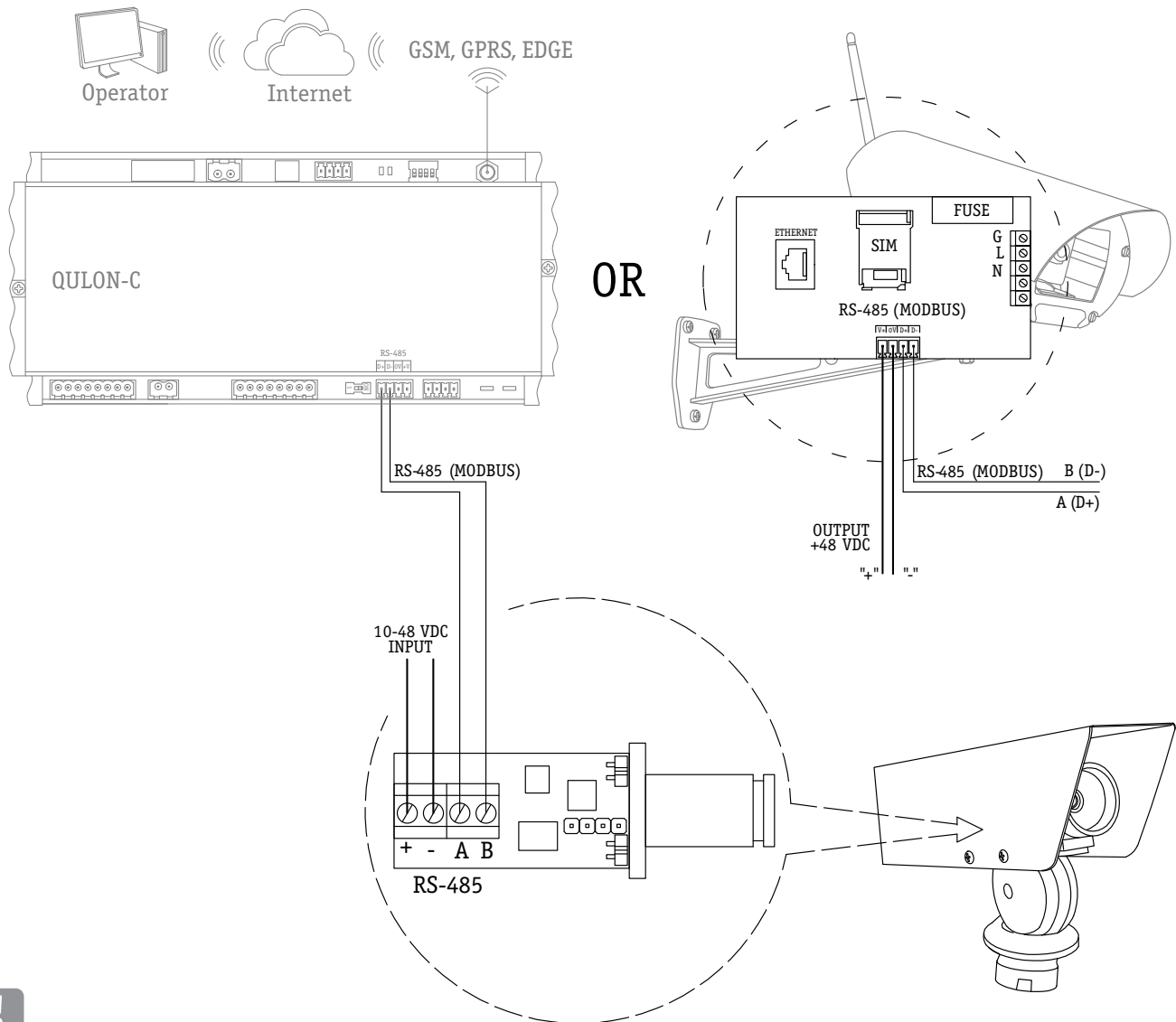
Name	Modification	Product code
QULON RTS	QULON RTS; RS-485 interface cable; "male" connector	QUL-RTS-65-485-WM
	QULON RTS; RS-485 interface cable	QUL-RTS-65-485-W
	QULON RTS	QUL-RTS-65-485-T

QULON RTS

Road Temperature Sensor

Version: 2.11
8 Jun 2021

Connection Scheme



Disclaimer

To the best of our knowledge, the technical data contained herein is true and accurate at the date of issuance and is subject to change without prior notice. No liability accepted for errors or omissions. Always make sure to use the most recent release and contact Sundrax Electronics to verify correctness before placing your order.

Accessories

Name

QULON RTS pole/surface mounting kit

Pole/surface mounting bracket for sensors and cameras

Interface cable for cameras and sensors, "male" connector, 1.5m

Interface cable for cameras and sensors, "female" connector, 1.5m

Product code

ACC-MK-QRTC-LP/W

ACC-QSENS-LP/W

ACC-CCIRS485-0/M

ACC-CCIRS485-0/F