



Simpline Node

The NEMA PLC module is designed for the management and control of specialized luminaires with power up to 250 W, using 5 or 7-pin NEMA C136.41 connector, and having control interface 0-10V / 1-10V / PWM / DALI by power lines using Powerline Communication (PLC modem) Simpline technology. Module functions are in dimming, individual control and diagnostics luminaire. To PLC module, via discrete input, third-party motion sensors can be connected manufacturers. The equipment is installed on the case luminaire equipped with a 5 or 7 pin connector NEMA C136.41. In addition, the NEMA PLC module has built-in GPS / GLONASS. Turn on / off the luminaire is provided with a relay built into the module, and individual control of the luminaire driver carried out via 0-10V / 1-10V / PWM / DALI interfaces.



Advantages

- Version with NEMA connections
- Available for installation into luminaire case
- Individual lighting control without extra wiring
- Motion sensor input
- Waterproof case IP66
- Embedded GPS/GLONASS receiver
- Working capacity up to 305V

QULON CMS

The QULON CMS is an extremely powerful yet flexible lighting management system that allows remote control of lighting infrastructures of any size and sort: We successfully deployed this system to control street lighting in entire cities, highways and tunnels but also industrial and warehouse lighting, airports, livestock farms, greenhouses, parking lots, train stations, leisure centres, parks and many more; It is composed of two different interfaces, a PC software featuring the most advanced programming functions and a web version to monitor and control your lighting assets on the go, together they offer a complete suite of tools for any kind of project and any kind of user.

Technical Specifications

Mechanical

Housing: plastic

Material: plastic

Dimensions, mm: 84(D) x 84(W)

Mass: 0.3 kg

Mounting: luminaire case

Power & Electrical

Input Voltage: ~100-250 V, 50/60 Hz

Input Power (max): 5 W

Max load Power: 250 W

Environmental

Operating Temperature: -40...+70°C

Storage Temperature: -50...+80°C

Operating Relative Humidity (max): 100%

IP Rating: IP 66

Certification: EAC, CE, RoHS

Warranty: 36 Month

Interfaces and Protocols

Control output interface: 0-10V/1-10V/PWM, DALI

Navigation: GPS/GLONASS

Communication with controller: CENELEC EN
50065-1 (band C)

Inputs / Outputs

Connectors: NEMA C136.41 plug

Sensors: motion sensor input

Configuration / Indication

Setup: remote via QULON C or QULON Simpline

Indication: LED (optional)

Package Contents

Simpline Node

Manual

Password

Product Line

Modification

PLC module (NEMA), 0-10V / 1-10V /
PWM / DALI, GPS / GLONASS, accelerometer

PLC module (NEMA), 0-10V / 1-10V / PWM / DALI

PLC module (NEMA), 1-10V

Product code

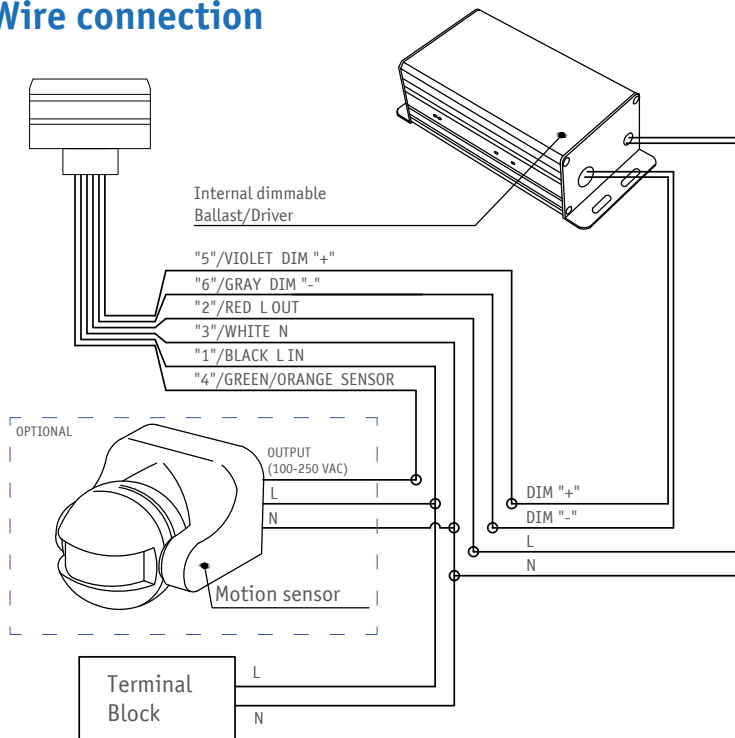
QUL-PLC-N-A

QUL-PLC-N-B

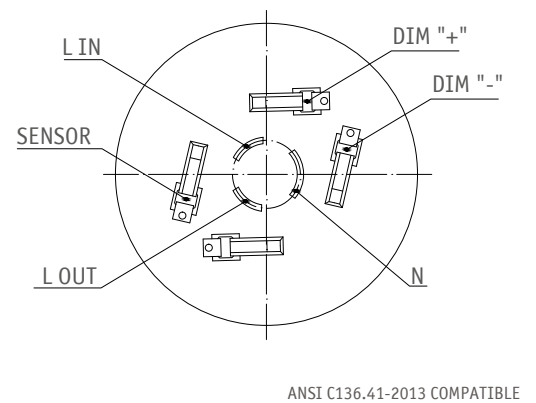
QUL-PLC-N-C

Connection Scheme

Wire connection



NEMA connection



Disclaimer

To the best of our knowledge, the technical data contained herein is true and accurate at the date of issuance and is subject to change without prior notice. No liability accepted for errors or omissions. Always make sure to use the most recent release and contact Sundrax Electronics to verify correctness before placing your order.

Accessories

Name

NEMA 5-pin connector
NEMA 7-pin connector
Microwave motion sensor combined with a 360°light sensor
Infrared motion sensor, combined with a 180°light sensor

Product code

ACC-CON-NEMA5
ACC-CON-NEMA7
ACC-OP-031835
ACC-OP-031839