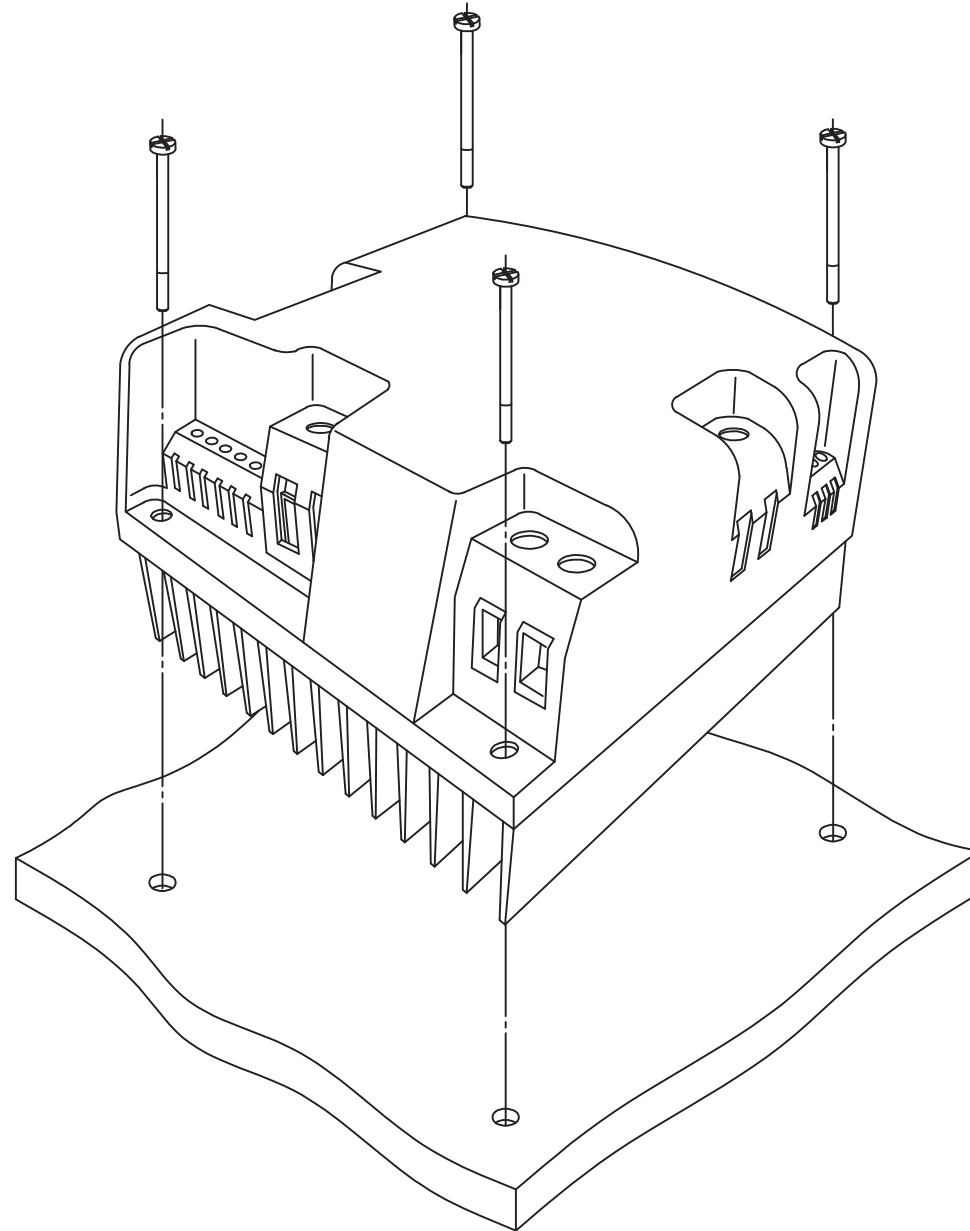


Surface Mounting



Wall Mounting Instruction

Print this template on A4 paper at 100% scale.

Drill holes using template.

All dimensions are in millimeters (mm).

