




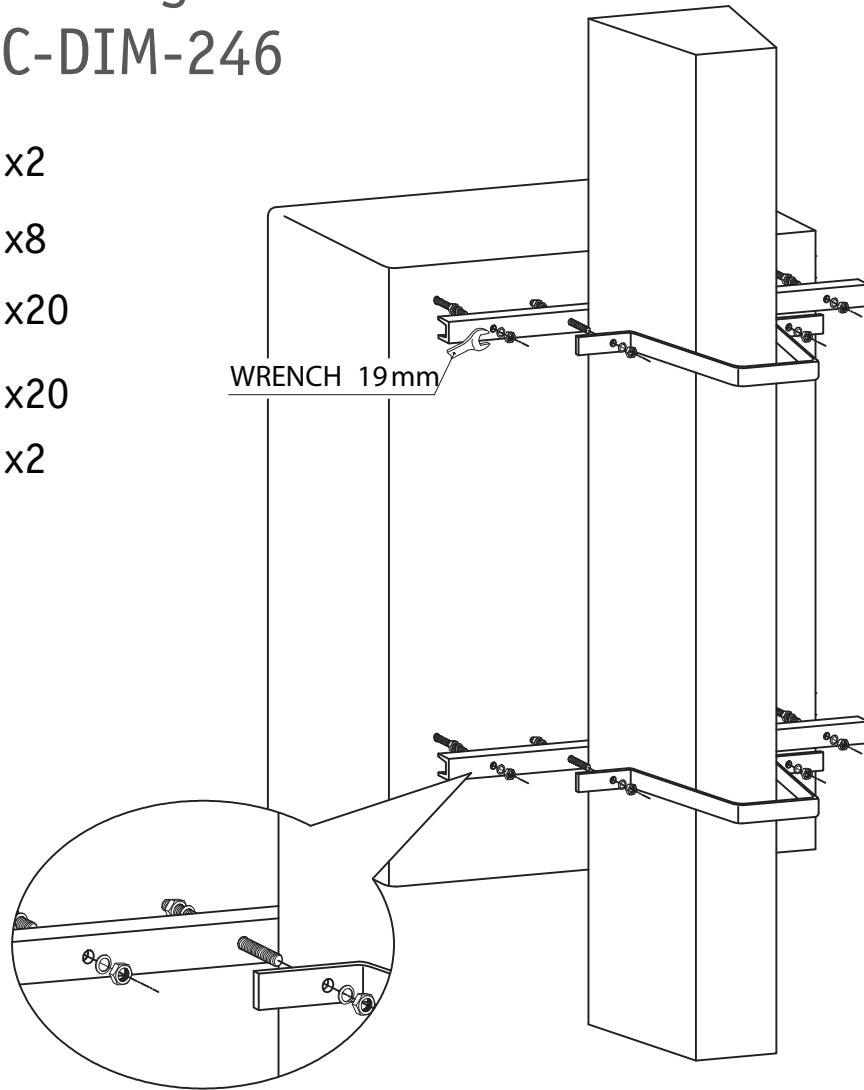


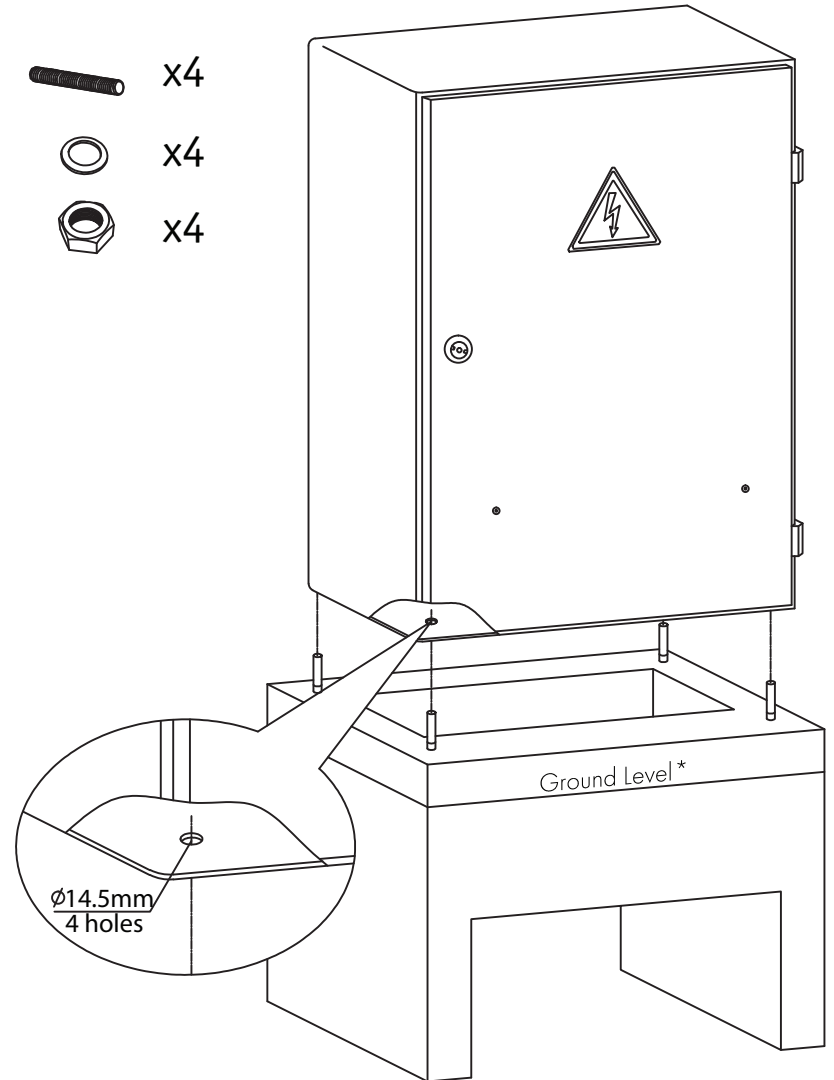
# Pole Mounting Kit QUL-ACC-DIM-246

-  x2
-  x8
-  x20
-  x20
-  x2



# Surface Mounting Kit QUL-ACC-DIM-247

-  x4
-  x4
-  x4



# Foundation Scheme

Sizes with marks are recommended, but not necessary. They given at the discretion of the customer.

Dimensions without marks are important and describe the height of the studs, the distance between them and the size of the hole in the base for cable.

