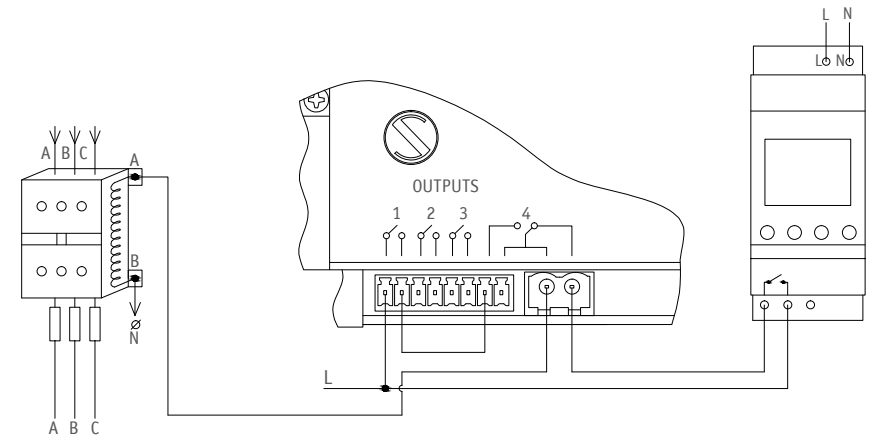


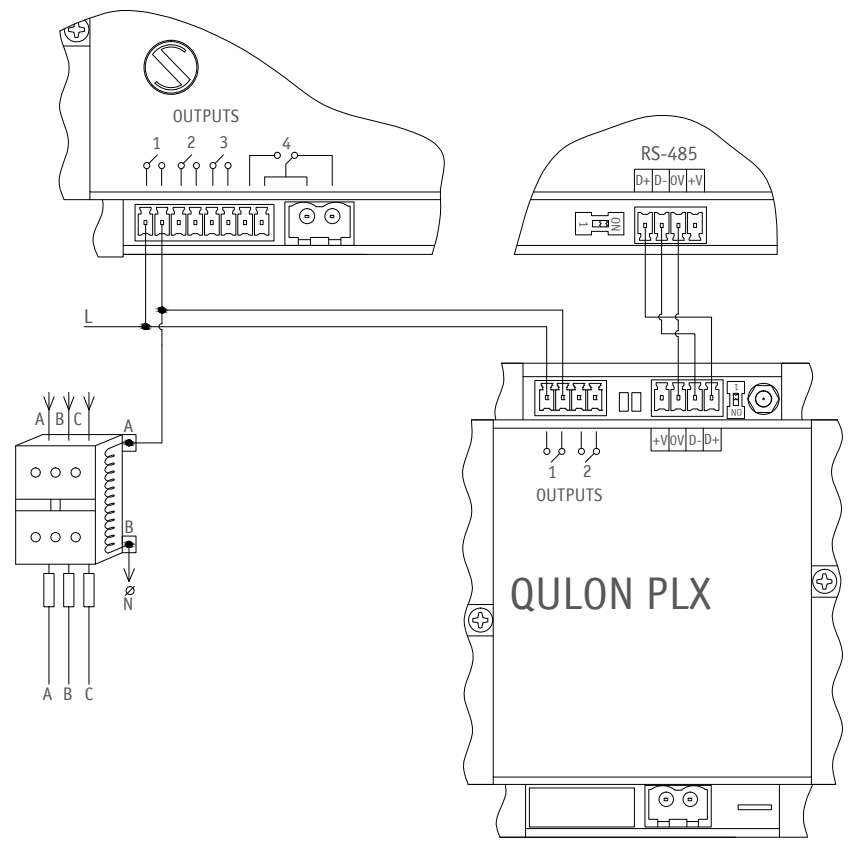
# QULON-C CONNECTION SCHEME



# ASTRO TIMER OR PHOTO SENSOR CONNECTION



# QULON PLX CONNECTION



# OTHER RS-485 DIVICES CONNECTION

